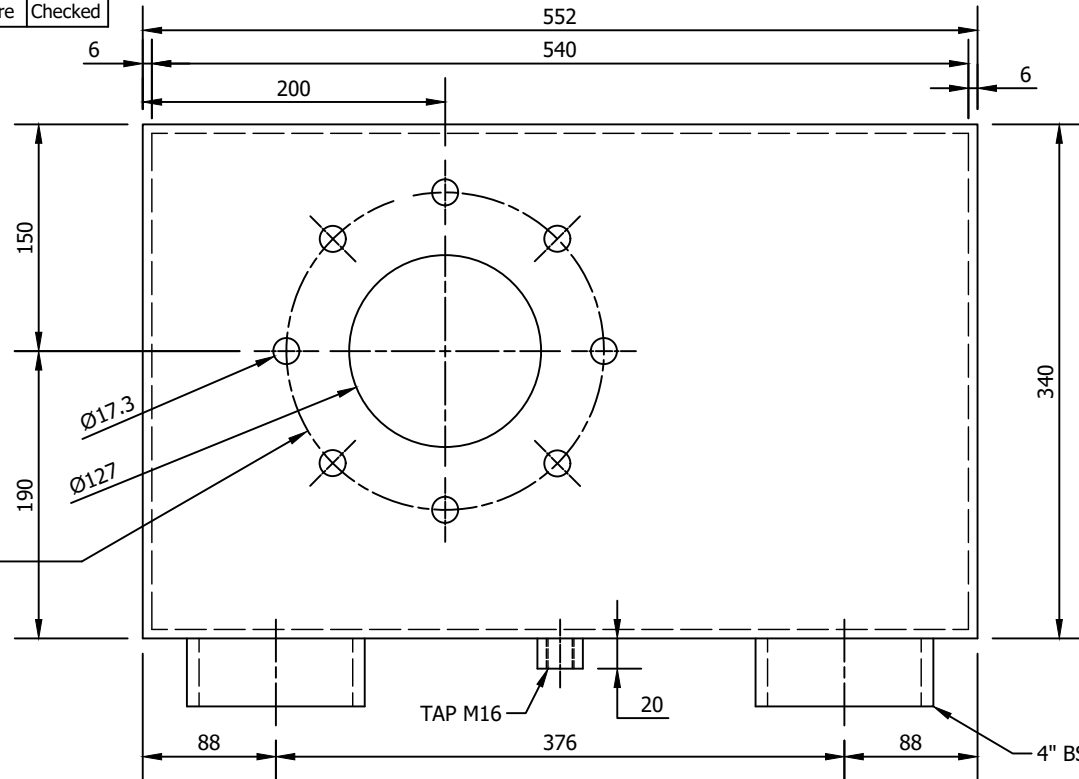


RevNo	Revision Note	Date	Signature	Checked
-------	---------------	------	-----------	---------



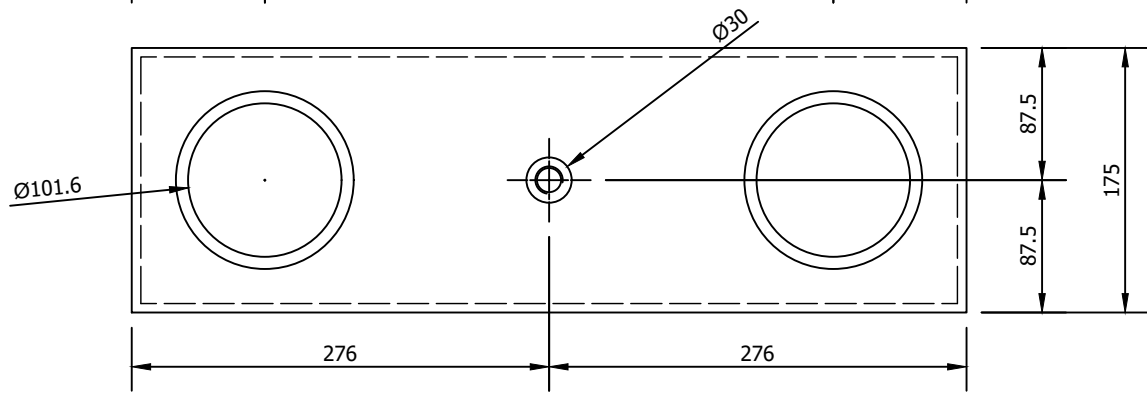
1 No. AS DRAWN
1 No. OPP. HAND

8 HOLES EQUI-SPACED ON
210 PCD (125NB - PN10)

PORT DETAILS TO SUIT VR142

TAP M16

4" BSP INTERNAL THREADS



Ø101.6

Ø30

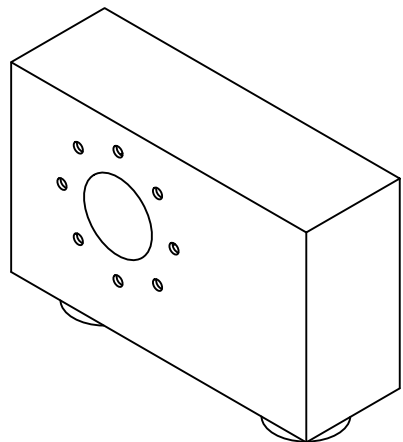
87.5

175

87.5

276

276



PART REF No		
VR142/01		
SCALE	1:5	DATE
DRAWN	CadMan	13/05/2022
CHECKED	DR	13/05/2022
AUTHORISED	DR	13/05/2022

TRANSAIRVAC
INTERNATIONAL LTD

Unit 28 Croft Road Industrial Estate,
Newcastle, Staffordshire, ST5 0TW.
Tel: +44(0)1782 710282
Fax: +44(0)1782 710126

TITLE		
SILENCERS VR142 SUCTION OR DISCHARGE		
DRG No	TAV.01.3.006	REVISION
		B
		SHEET
		1 OF 1