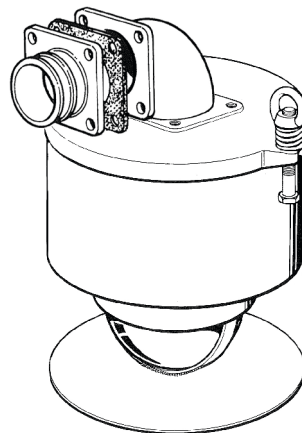
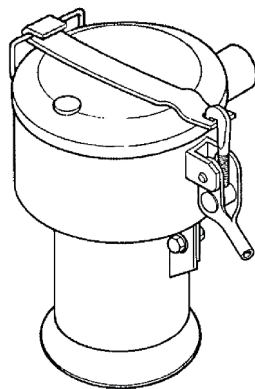
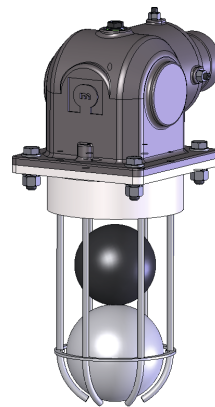


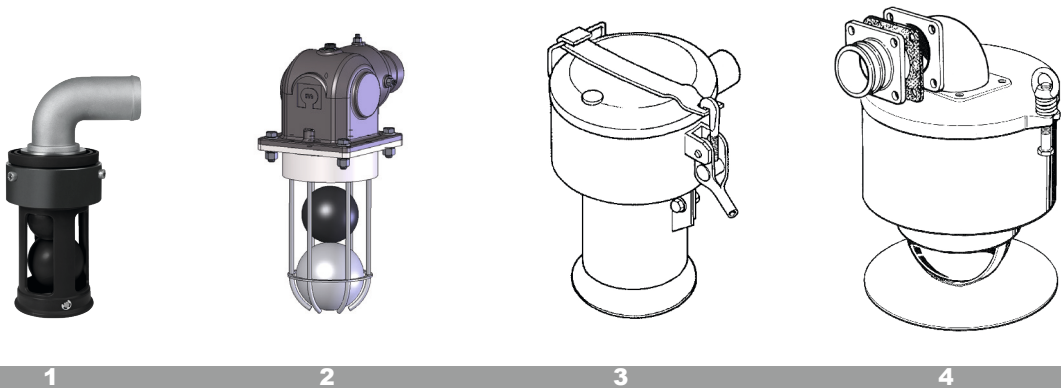


TECHNICAL SHEET



**PRIMARY
CUT-OFF VALVES**

Description / Dimensions



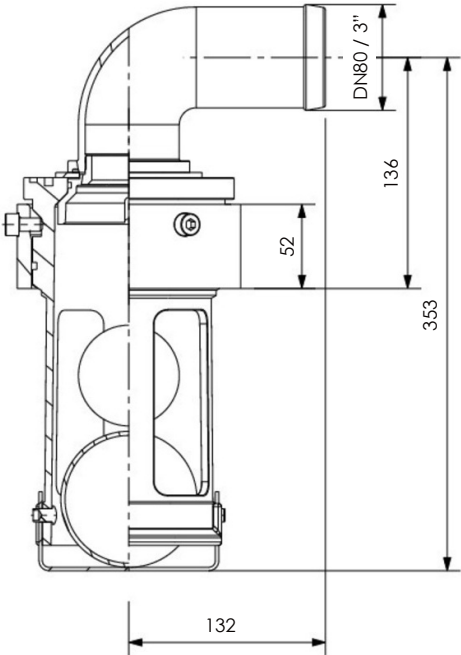
PRIMARY CUT-OFF VALVES

1 3" Primary cut-off valve

Primary cut off, with one 3" outlet aluminum elbows, with 2pcs float balls

3" Primary cut-off valve

Flow rate till 432 m3/h - 254 CFM

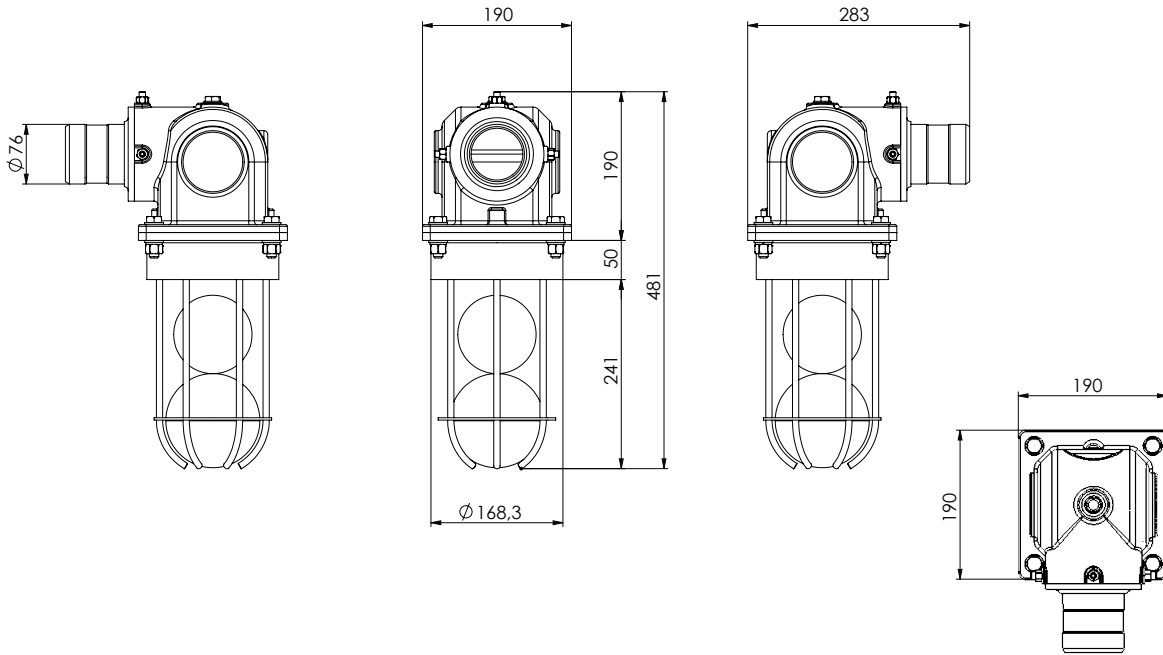


2 3”/4” Primary cut-off valve

Moro Iron Casting big capacity Primary cut off valve, with one 3” or 4” outlet airon casting elbows, with 2pcs float balls, 1pcs NBR 4” float rubber ball, 1pcs 5” S.Sleet float ball, with sign level indicator, with hole for draning, with 1/4” hole for Vacuum pressure gauge.

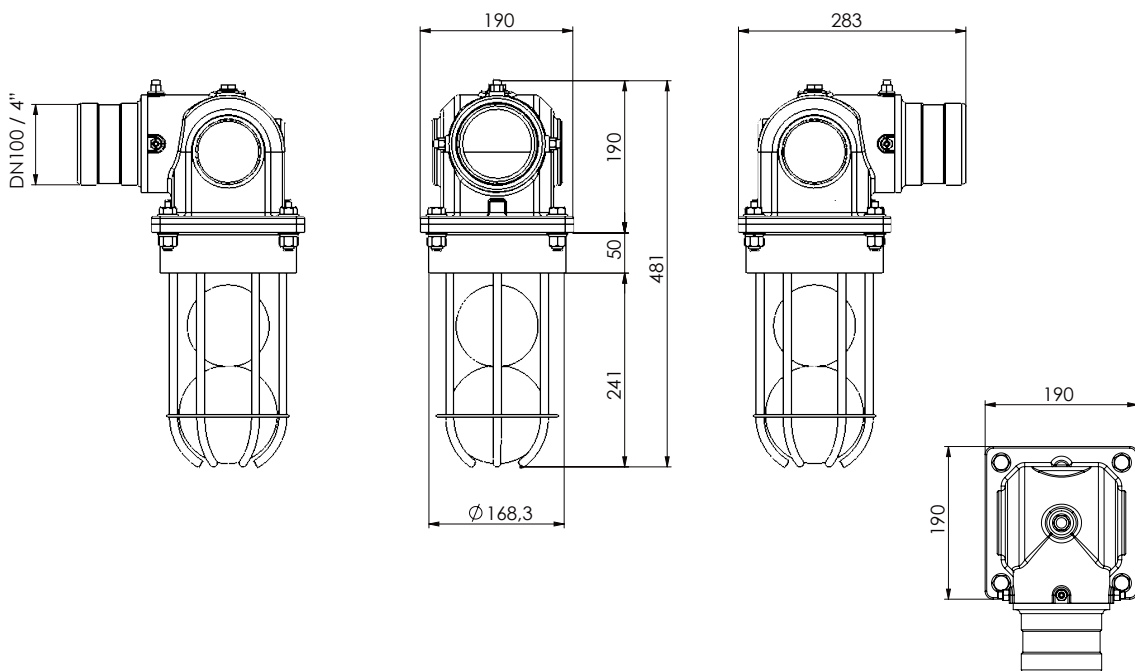
3" Primary cut-off valve

Flow rate till 731 m3/h - 430 cfm



4" Primary cut-off valve

Flow rate till 984 m3/h - 579 CFM

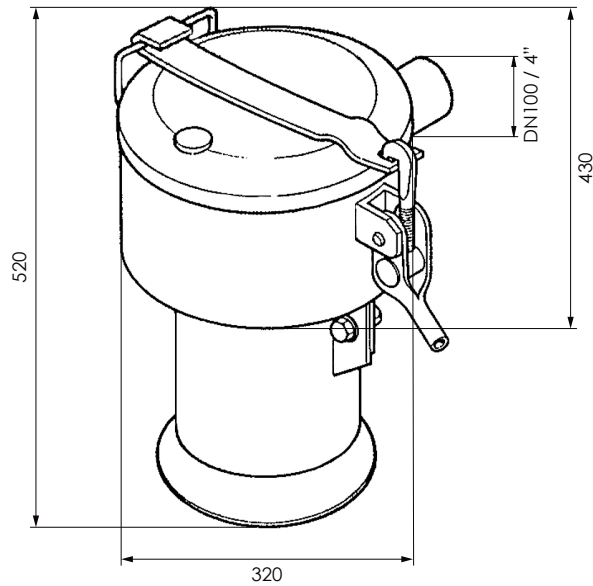


3 4" Primary cut-off valve

Moro Carbon steel primary cut-off with 4" outlet, with 1 6" S.Steel float ball with galvanized ball container and iron casting cover.

4" Primary cut-off valve

Flow rate till 1416 m3/h 833 CFM

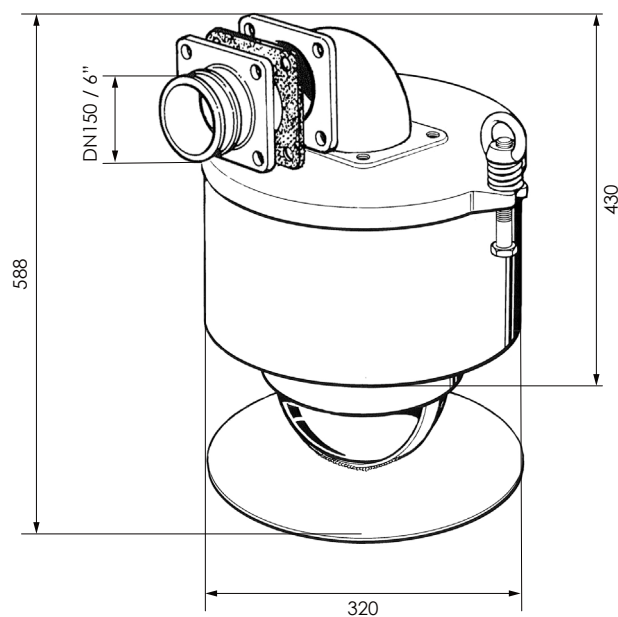


4 6" Primary cut-off valve

Moro Carbon steel / Stainless steel primary cut-off with 6" aluminum outlet, with 1 8" S.Steel float ball with galvanized ball container and iron casting cover.

6" Primary cut-off valve

Flow rate till 2790 m3/h 1642 CFMM



Technical data

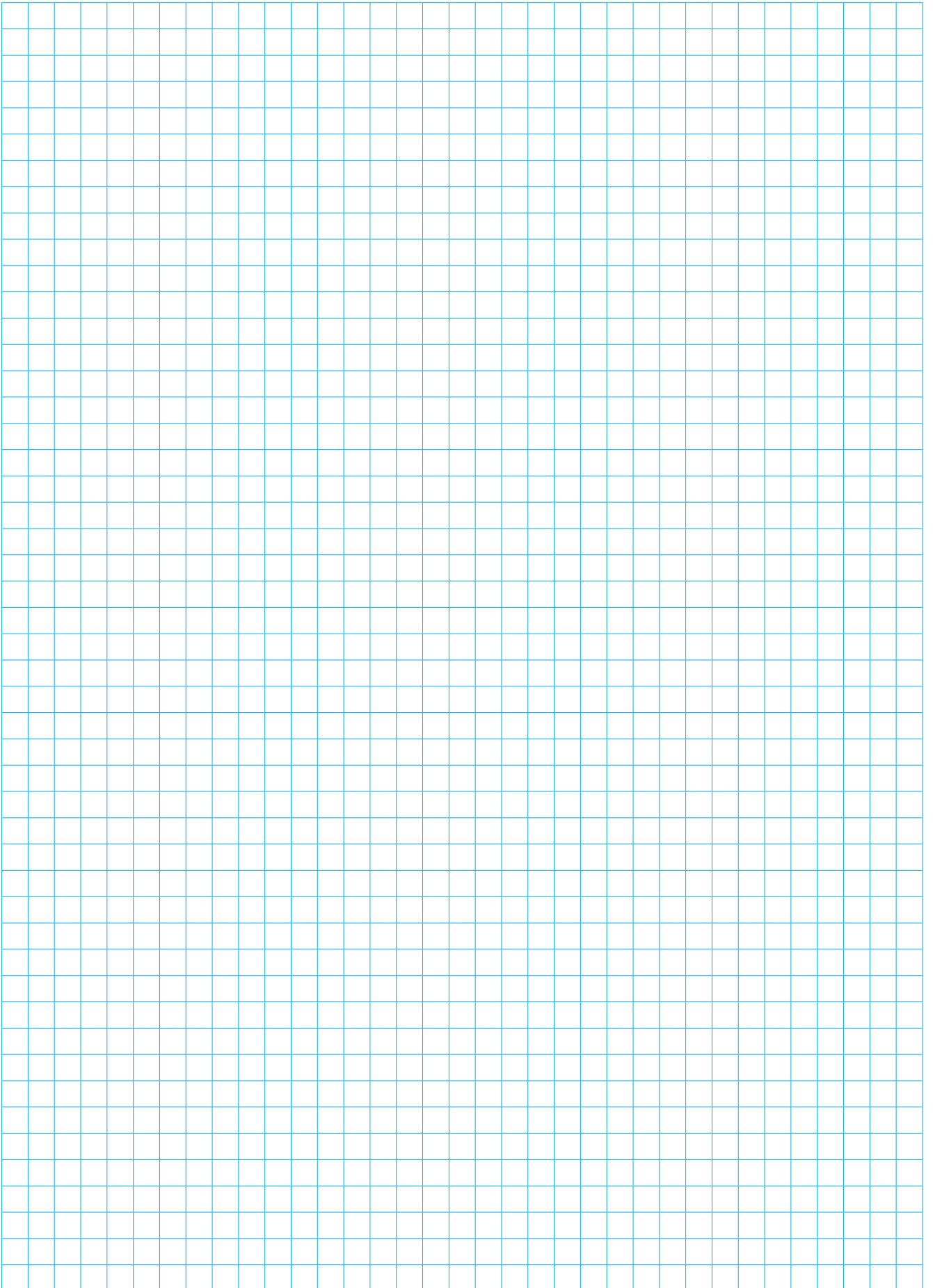
Materials	1. Aluminum 2. Iron Casting 3. Carbon Steel 4. Carbon Steel / Stainless steel
Max working pressure	1 bar

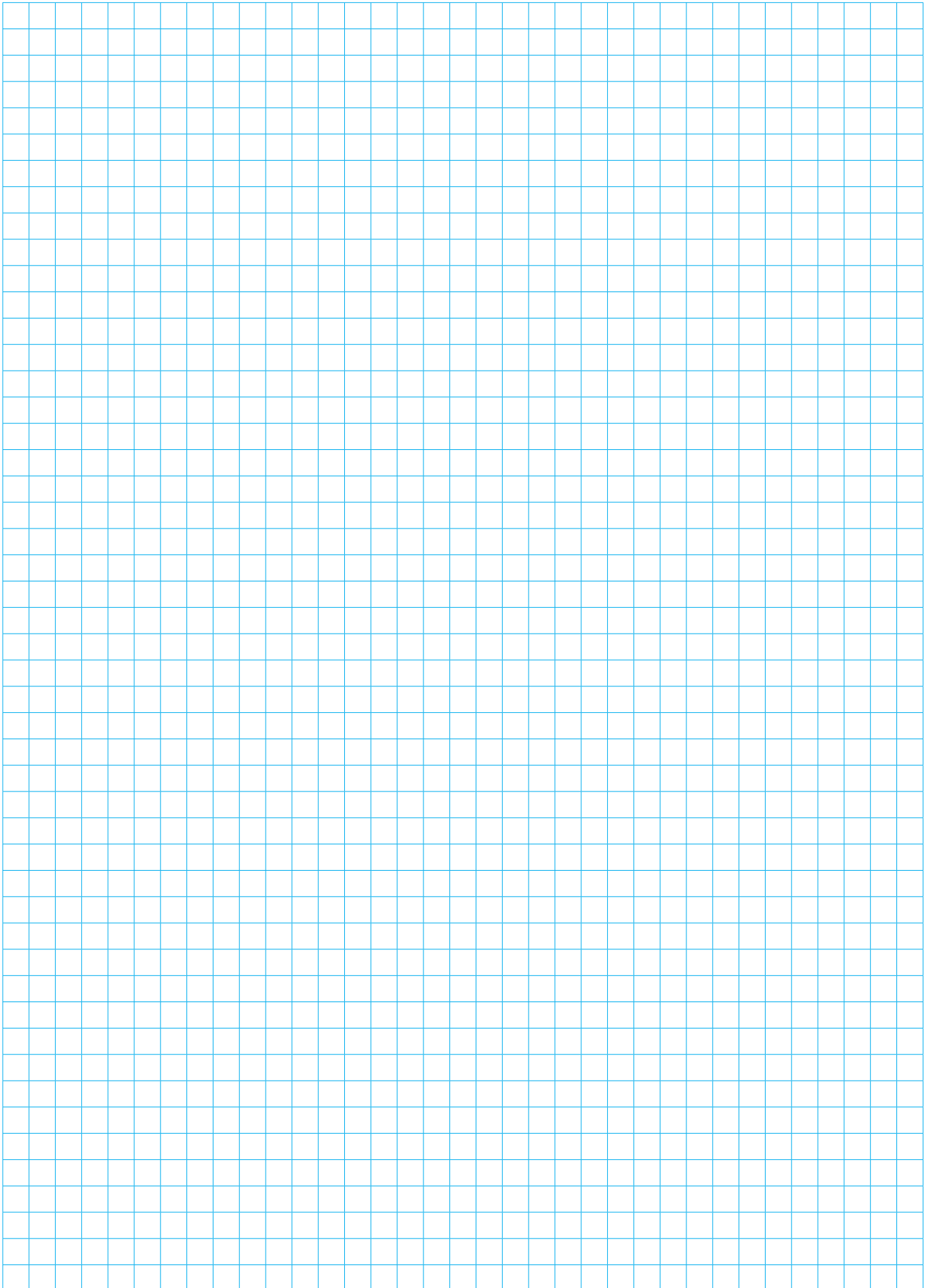
Versions

	description	code	weight
1	3" Primary cut-off valve	6.925043225-1	4 kg
2	3" Primary cut-off valve - iron casting	6.444300220-1	13,6 kg
2	4" Primary cut-off valve - iron casting	6.444300240-1	14,2 kg
3	4" Primary cut-off valve - carbon steel	6.840000010-2	31,8 kg
4	6" Primary cut-off valve - carbon steel	6.840000450-2	34 kg
4	6" Primary cut-off valve - stainless steel	6.1021163-8-2	28 kg

Examples of application









MORO KAISER **COMPONENTS**

MORO KAISER S.R.L.

Via Pontebbana, 16
33080 FIUME VENETO (PN) ITALY

Tel. 0434 951.211

Fax: 0434 957.786

infomoro@morokaiser.it