

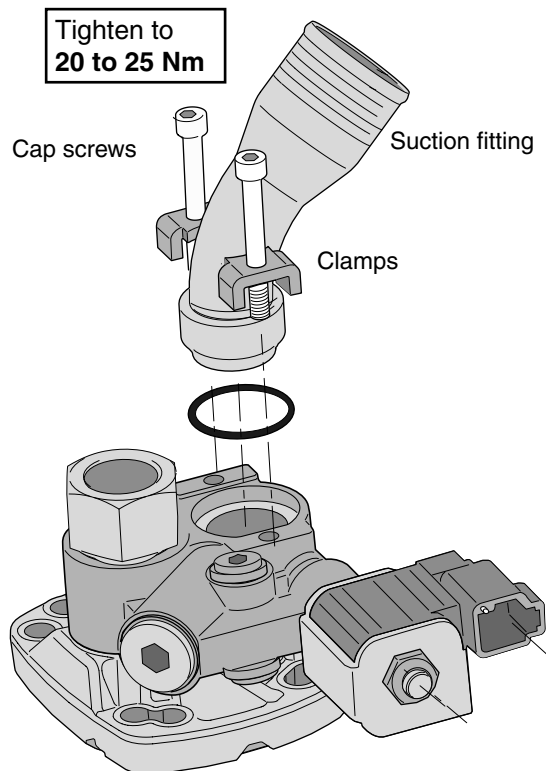


Visit our homepage for additional support
parker.com/pmde

Installation information for suction fitting on bypass valve Series F1 and F2

Effective: March 01, 2018
Supersedes: June 15, 2016

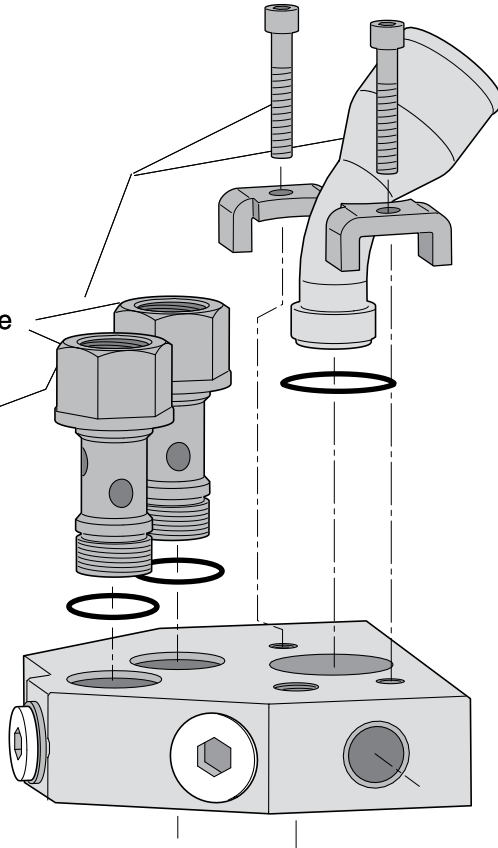
Installation of suction fitting on bypass valve, serie F1



Installation of suction fitting on bypass valve, serie F2

IMPORTANT!

Always tighten the pressure connectors ($50 \pm 10 \text{ Nm}$) **before** tightening the cap screws ($20\text{--}25 \text{ Nm}$)



Parker Hannifin Manufacturing Sweden AB MSG30-8210-INST/UK
Pump & Motor Division Europe Art. No 3720553-02
Flygmotorvägen 2
461 82 Trollhättan
Sweden
Tel. +46 (0)520 40 45 00
www.parker.com/pmde

© Copyright 2018
All rights reserved