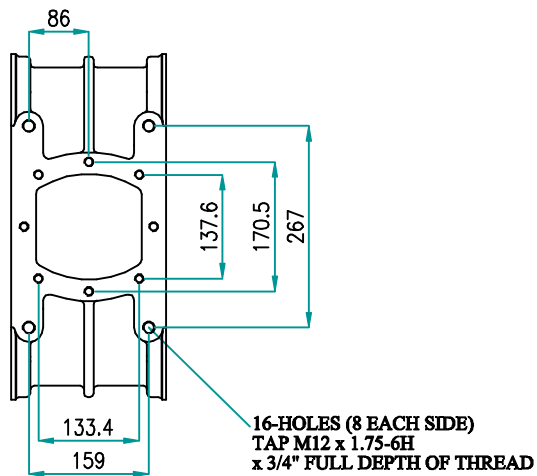
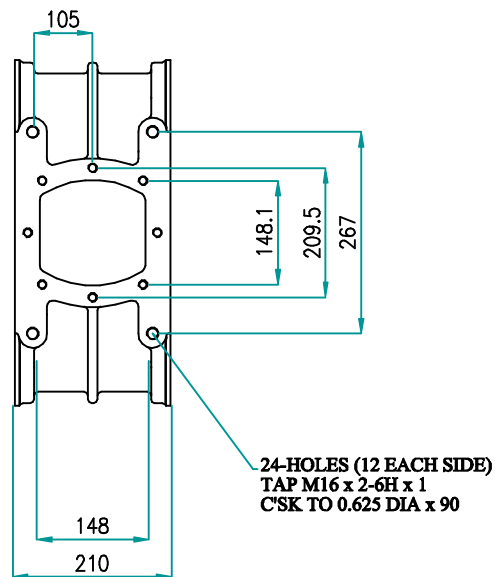


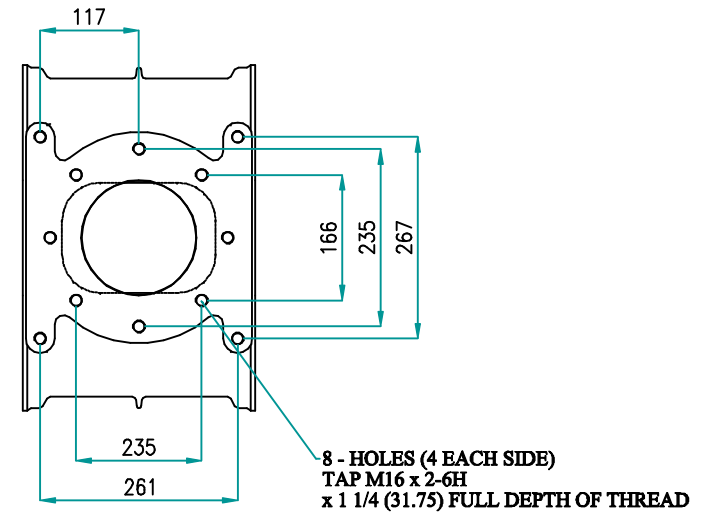
RevNo	Revision note	Date	Signature	Checked
-------	---------------	------	-----------	---------



VR113 PORT DETAILS



VR142 PORT DETAILS



VR170 PORT DETAILS

PART REF No		
SCALE	1:10	DATE
DRAWN	J.D.M.	20/6/2014
CHECKED	P.W.	20/6/2014
AUTHORISED	P.W.	20/6/2014

TRANSAIRVAC
INTERNATIONAL LTD
Unit 28 Croft Road Industrial Estate,
Newcastle, Staffordshire, ST5 0TW.
Tel: +44(0)1782 710282
Fax: +44(0)1782 710126

TITLE		
VR FLANGE DETAILS		
DRG No	TAV.01.3.003	REVISION SHEET
		'A' 1 OF 1