

FAN

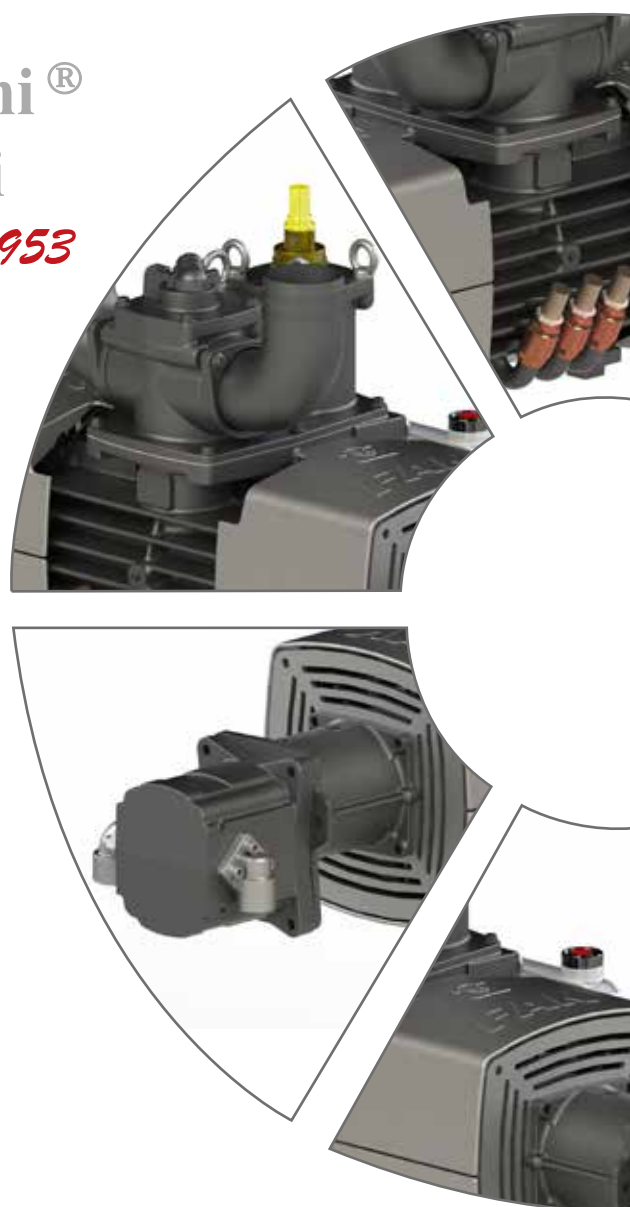
420 - 530

Technical catalogue
Catalogo tecnico
Technischer Katalog



Battioni®
Pagani

Setting the pace since 1953





**Battioni®
Pagani**

Setting the pace since 1953

Depression valve on request

Valvola di regolazione vuoto a richiesta
Unterdruckventil auf anfrage

Selector vacuum - pressure

Selettore Vuoto - Pressione
Wähler von Vakuum/Druck

Automatic lubrication pump as standard

Pompa di lubrificazione automatica di serie
Automatische Schmierung als Serie



Blades inspection hole

Foro ispezione palette
Bohrung für Lamellen Prüfung

High wearing resistance thanks to cast-iron with high hardness

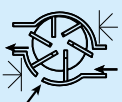
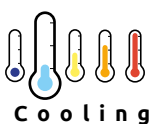
Elevata resistenza ad usura grazie a ghisa ad alta durezza
Hohe Festigkeit zu Abnutzung für Gußeisen mit hohe Härte

Air injection cooling on request

Iniezione aria di raffreddamento a richiesta
Injektion der Luftkühlung auf anfrage

Long Life Blades as standard

Palette Long Life di serie
Long Life Schaufeln als serie



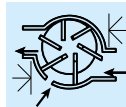
**DOUBLE FAN + AIR
INJECTION
COOLED RVP**

● **Integrated Final air filter, effective in both vacuum and pressure use**

Filtro aria finale integrato, efficace sia in vuoto che in pressione
Integriert Endluftfilter, wirksam in Vakuum und auch in Druck

NEW

FAN
420 - 530



VERSIONS



FAN - H



FAN - P

● **CPS - CRASH PROTECTION SYSTEM**

Sliding Flanges to avoid breakages of the body and rotor during vanes crashes

Flange con asole di scorrimento in caso di ingresso materiale o rottura palette
Flansche mit Slotsblättern falls Materialschmierung oder Palettenbruch

● **ExternalSide oil tank as standard**

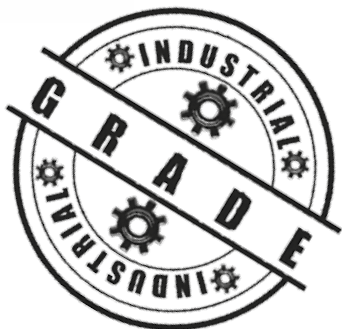
Serbatoio olio laterale di serie
Externe Seitenöltank als Serie

● **Forced-air cooling whit fans**

Raffreddamento forzato con ventole
Umluft mit Lüfter

Double Fan + Air
Injection cooled
RVP

Double Fan + air injection cooled



The picture is only for informative purpose.
See the table on page 89 for the complete list of the available optionals.

FAN-Cooling

The cooling for FAN Pumps is provided by fresh air forced by high efficiency cooling fans. An accurate study of the aluminum conveyor, the body fins profile and inlet and outlet port make the pump suitable for heavy duty applications.

The FAN features the Crash Protection System: sliding flanges protection mechanism that prevents the housing or rotor from breaking in case of blades crash. The pump is easily repairable inexpensively in field. The FAN pump can be equipped with the latest automatic air injection cooling system to enable continuous operation at 91% range of vacuum.



STANDARD FEATURES

- Long Life Blades, Crash Protection System, Automatic Lubrication, External Side Oil Tank, Integrated Air Filter, 4-ways valve, Poppet Check valve
- Available hoses connections: Ø 76 mm (3") / Ø 80 mm / Ø 100 mm (4")

VERSIONS

CCW on request CW as standard



Version P

Smooth Cylindrical shaft,
Ø 32, lenght 63 mm
Parallel key UNI 6604



Version H

FAN 420 Group 3,5
72,82 cc/rev - Pmax 180 bar
- In G 1" - Out G 1" 1/4
FAN 530 Group 4
86,56 cc/rev - Pmax 280 bar
- In G 1" 1/4 - Out G 1" 1/2

TECHNICAL DATA

	Geometrical capacity			Max rpm	Max abs pressure Bar/PSI	Max vacuum % (inHg)	Max continuous vacuum % (inHg)	Power at max vacuum kW (HP)	Weight kg	
	m³/h	l/min	cfm						P	H
FAN 420	720	11980	423	1500	2.5 (36)	95% (28,5")	91% (27")	23 (30,8)	180	203
FAN 530	893	14890	525	1500	2.5 (36)	95% (28,5")	91% (27")	27 (36,1)	223	263

OPTIONALS



Hydraulic Changeover
Code 6080200315



Hydraulic Revolving Changeover
Code 5090000108



Pneumatic Revolving Changeover
Cod. 6080200306



Pneumatic Revolving Changeover - 3 Positions
Code 6080200307



Battioni Pagani Vacuum Pump Oil 5 lt.
Code 5070200100

NEW



Battioni Pagani Flushing Fluid 5 lt.
Code 5070200102

NEW



Flushing Kit
Code 6080200325



Kit Overpressure 2"
Code 6080200389



Air injection cooling kit



Customized Painting



**Vacuum Relief Valve
1 1/2"**
Code 5100200012
Setting range:
-0,3 bar / -0,8 bar
Working temperature:
-20°C / +90°C
Thread: 1 1/2"
Weight: 0,65 kg



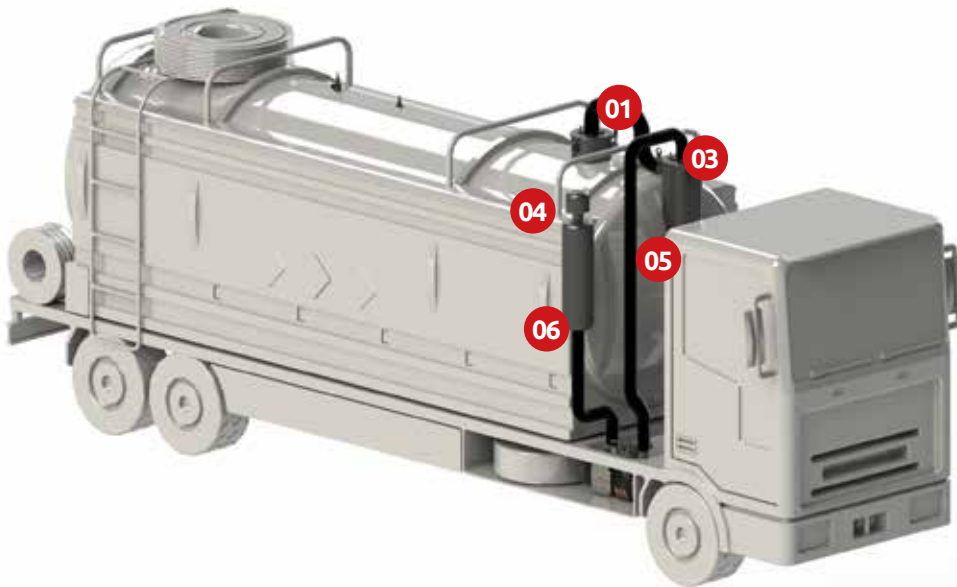
**Overpressure Safety
Valve - 2"**
Code 5100200011
Setting range:
+0,3 bar / +1,5 bar
Working temperature:
-20°C / +90°C
Thread: 2"
Weight: 1,2 kg



**Primary Overflow Valve -
Two Balls**
Code 6100200030 - Ø76
Code 6100200025 - Ø80
Code 6100200026 - Ø100
Iron ring to be welded
Weight: 13,9/14,0 kg



**Primary Overflow Valve -
One SS Ball**
Code 6100200027 - Ø80 SS
Code 6100200028 - Ø100 SS
Ball material: AISI 316
Iron ring to be welded
Weight: 13,8/13,9 kg



Filter - Silencer
Code 5090000026
FAN 420 - 530 Ø 100
Code 5090000025
FAN 420 - 530 Ø 80
Weight: 13 kg

Double Fan + Air
Injection-cooled
RVP



Rain Cap
Code 5090000062
FAN 420 - 530 Ø 100
Code 5090000061
FAN 420 - 530 Ø 80
Weight: 0,4 kg



Pre-filter
Code 5090000047
FAN 420 - 530 Ø 100
Code 5090000046
FAN 420 - 530 Ø 80
For Filter/silencer only
Weight: 1,1 kg



Cyclon valve -1100
Code 6100200033
- Ø100
Housing: Galvanized Mild
Steel
Cover: aluminum
Weight: 35 kg



**Cyclon valve -1100
SS**
Code 6100200034
- Ø100
Housing: AISI 304
Cover: aluminum
Weight: 35 kg



**Secondary Valve - Two
Balls**
Code 6100200035-Ø76
Code 6100200021-Ø80
Code 6100200022-Ø100
Weight: 35,6 kg



Discharge valve
Code 5040200016 - 1 1/4"
To be fitted on Cyclon valves
Code 5040200014 - 1"
To be fitted on
Secondary valve



**Gauge - Ø 80 mm
Axial Connection**
Code 5101700007
To be fitted on
Secondary valve



Battioni®
Pagani

Setting the pace since 1953



Battioni Pagani Pompe S.p.A.

Via Enzo Ferrari, 2
43058 Sorbolo (PR) - Italy

Ph. +39 0521 663203

Fax +39 0521 663206



www.bapag.it
info@bapag.it

