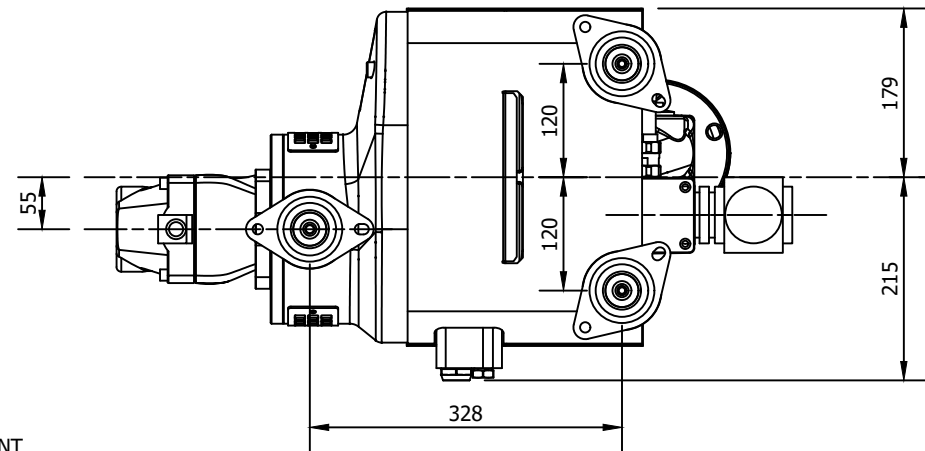
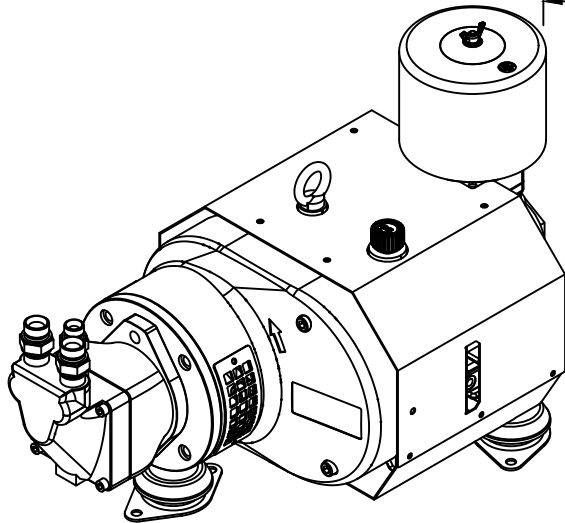
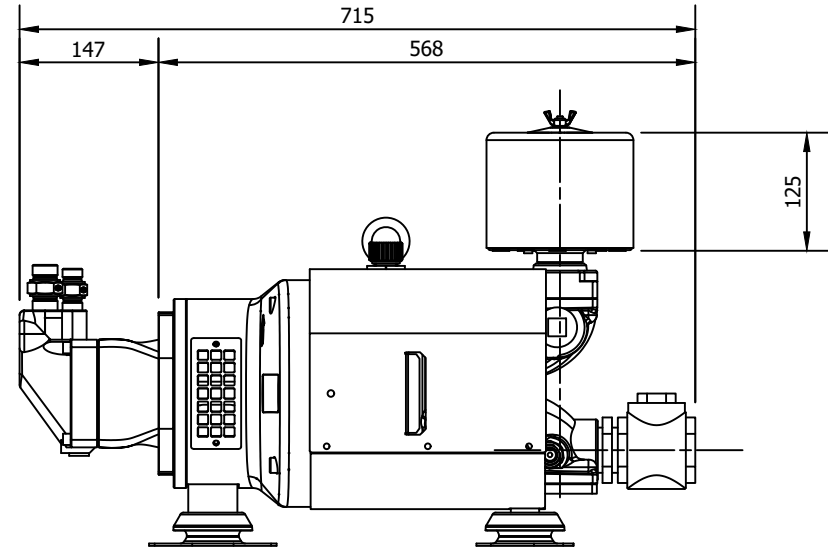
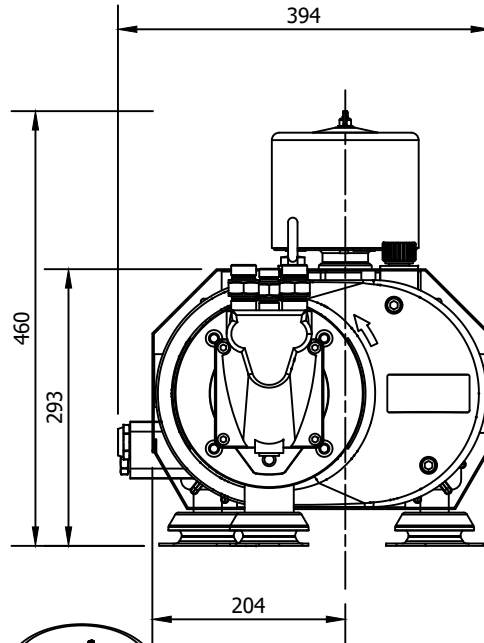


RevNo	Revision Note	Date	Signature	Checked
-------	---------------	------	-----------	---------



FOR MOUNTING FOOTPRINT
SEE DRG TAV.02.9.004

VIEW ON UNDERSIDE

PART REF No		
T155.COMPACT		
SCALE	1:8	DATE
DRAWN	CadMan	03/05/2024
CHECKED	DR	03/05/2024
AUTHORISED	MH	03/05/2024



Unit 28 Croft Road Industrial Estate,
Newcastle, Staffordshire, ST5 0TW.
Tel: +44(0)1782 710282
Fax: +44(0)1782 710126

TITLE		
T155 COMPACT COMPRESSOR ASSEMBLY TANKER DISCHARGE		
DRG No	TAV.02.9.003	REVISION
		C
		SHEET
		1 OF 1