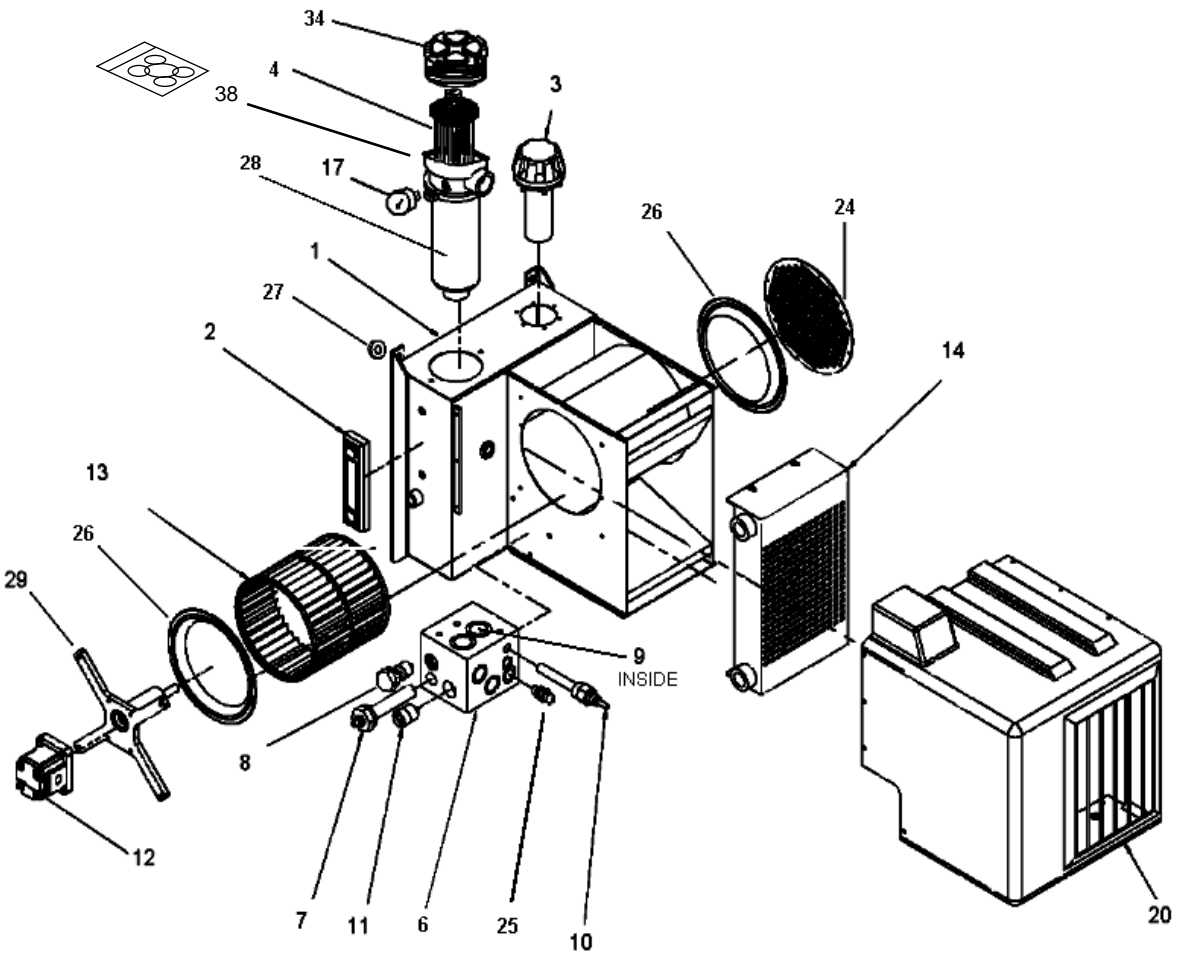


NO	PART NO	DESCRIPTION
1	HC14/1	OIL TANK
2	HC14/2	OIL LEVEL GAUGE
2.1	HC14/2.1	SQUARE SECTION SEAL
3	HC14/3	OIL FILLER CAP
4	HC14/4	RETURN FILTER ELEMENT
6	HC14/6	MANIFOLD BLOCK
7	HC14/7	PRESSURE RELIEF VALVE
8	HC14/8	BLANKING PLUG
9	HC14/9	CHECK VALVE
10	HC14/10	FLOW CONTROL VALVE
	HC14/10.1	CONTROL VALVE SEAL KIT
11	HC14/11	CHECK VALVE
12	HC14/12	HYDRAULIC MOTOR
13	HC14/13	CENTRIFUGAL FAN
14	HC14/14	AIR OIL HEAT EXCHANGER
15	HC14/15	DIRECTIONAL VALVE 24V ELEC
16	HC14/16	DIRECTIONAL VALVE(CLOSED) PNEUMATIC
17	HC14/17	FILTER RESTRICTION INDICATOR
18	HC14/18	ADAPTION KIT
19	HC14/19	2" HOSE TAIL
20	HC14/20	PLASTIC COVER
21	HC14/21	DIRECTION VALVE(MANUAL)
22	HC14/22	TANK DRAIN PLUG 1/2" BSP
24	HC14/24	PROTECTION SCREEN
25	HC14/25	MINIPRESA(TEST POINT)
26	HC14/26	NOZZLE
27	HC14/27	CORK PADS(SET)
28	HC14/28	RETURN LINE FILTER HOUSING
29	HC14/29	HYDRAULIC MOTOR SUPPORT BRACKET ASSEMBLY
31	HC14/31	SUPPORT (CROSS ONLY)
32	HC14/32	DIRECTIONAL VALVE
33	HC14/33	SEAL KIT FOR PRV
34	HC14/34	CAP FOR RETURN FILTER
36	HC14/36	1 1/2 " HOSE TAIL
37	HC14/37	MALE/FEMALE ADAPTOR



*Please see also Hydraulic Circuit Diagram

38	HC14/28.1	SEAL KIT FOR RETURN LINE FILTER ELEMENT
----	-----------	---

Itemref	Quantity	Title/Name, designation, material, dimension etc	Part/Ref No: HC14
Designed by HDV	Checked by JSA	Approved by - date P WOOD - 22/08/2006	Filename SPARES/COOLERS
		Date 06/09/2006	Scale NTS
			HC14 HYDRAULIC OIL COOLER
<small>Units 12 to 17 Croft Road Industrial Estate, Newcastle, Shropshire, ST15 0TW. Tel: +44 (0)1782 710292 Fax: +44 (0)1782 710126</small>			.TAV.03.4.004
			Edition 5
			Sheet .1