

K3-1275 & K3-1300

Mounting Kits and Accessories for K3-1275 and K3-1300

In order to make the fitting of the BRÄTSCH compressors as easy as possible, we offer several mounting kits and accessories for the compressor types K3-1275 and K3-1300, such as universal mounting frames, stainless steel armature carriers, fitting kits, pressure hoses, mounting kits for suction filters, cardan shafts, condensate separators, and many other possibilities for compressed air conditioning.

It's as simple as this

- Minimal mounting efforts and costs thanks to prefabricated mounting frames and preassembled armature carriers
- Complete assembly possible within 2 hours!
- No installation of welded steel tubings necessary
- High flexibility thanks to fast adaption of the mounting frame, armature carrier, and hose system to the mounting requirements at the truck
- Stable mounting that still retains a low weight
- Corrosion-resistant materials (galvanized steel, stainless steel) and temperature-resistant hoses
- Minimal handling costs thanks to a one-stop delivery: compressor, accessories, mounting frame and cardan shaft

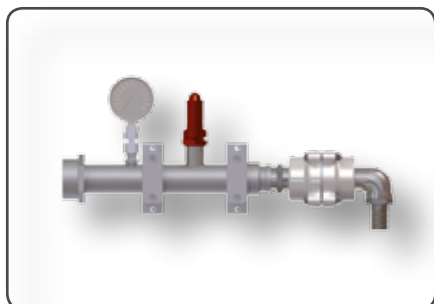
Mounting Kits & Accessories

Stainless Steel Armature Carrier

The armatures like the check valve, safety valve, and manometer are pre-mounted on the armature carrier so that you can easily fix the complete carrier with two pipe clamps at the truck frame. You thus save the time-consuming assembly of the individual parts.

The armature carrier consists of a flexible fittings kit so that it can be further adapted according to the assembly requirements of the truck. The armature carrier and the screw connections are made of stainless steel.

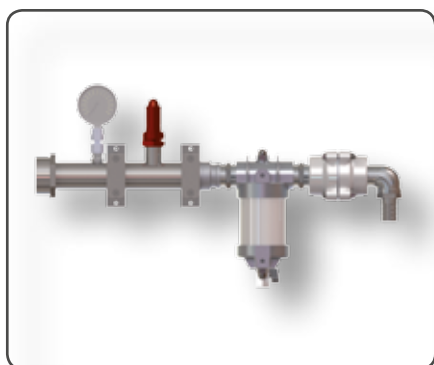
The horizontal armature carrier is available with a preassembled separator, too. In addition to this, we offer tanker couplings for our armature carriers.



Armature Carrier, Horizontal

- Armature carrier, stainless steel, horizontal
- With a check valve, safety valve 2.2 bar (other pressures possible) and glycerine manometer, hose nozzles, hose clamps, and pipe clamps

Armature Carrier, Horizontal	5601-7810
Tanker Couplings Set	12088-504



Armature Carrier, Horizontal, with separator

- Armature carrier, stainless steel, horizontal with preassembled separator
- With a check valve, safety valve 2.2 bar (other pressures possible) and glycerine manometer, hose nozzles, hose clamps, and pipe clamps

Armature Carrier, Horizontal	5601-7810
Separator	5600-7410
Tanker Couplings Set	12088-504



Armature Carrier, Vertical

- Armature carrier, stainless steel, vertical
- With a check valve, safety valve 2.2 bar (other pressures possible) and glycerine manometer, hose nozzles, hose clamps, and pipe clamps

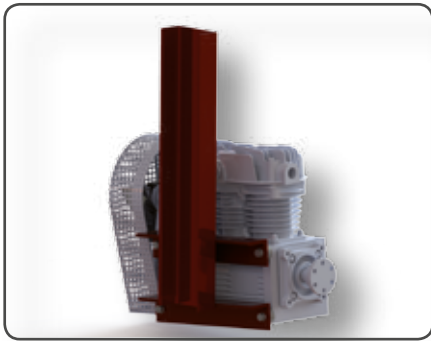
Armature Carrier, Vertical	5602-7810
Tanker Couplings Set	12088-504

Mounting Frame

Our compressor mounting frames have already been welded and drilled for the fitting of the compressors. Only the carrier profile has to be drilled in order to fit and assemble everything on the vehicle. They are thus suitable for all kinds of trucks! For the compressor type K3-1300, we offer a universal frame for the upright mounting of the compressor. The K3-1275 is usually mounted overhead.

For the MAN-series TGA and TGX, we offer a special mounting frame: a mounting plate that is designed for the overhead assembly of K3-1275. There is no adaptation work necessary for this combination.

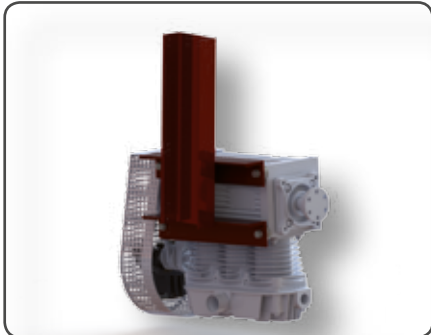
If you have special requirements with regard to assembly, please let us know as we develop non-standard mounting solutions, too!



Universal Mounting Frame, Upright (for K3-1300)

- Compressor mounting frame, galvanized steel
- Upright construction of K3-1300
- Corrosion-resistant - stable - low weight
- Adaption to every type of truck by drilling the carrier profile
- 13.2 kg (dimension sheet available)

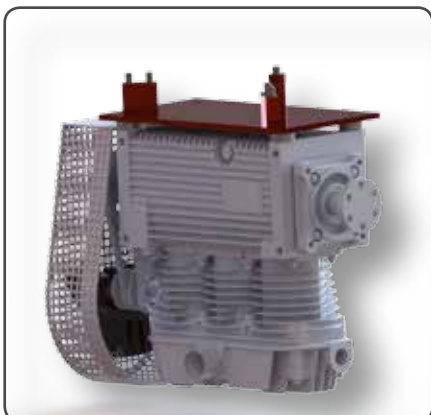
Universal Mounting Frame, Upright	5000-8011
-----------------------------------	-----------



Universal Mounting Frame, Overhead (for K3-1275)

- Compressor mounting frame, galvanized steel
- Overhead assembly of K3-1275
- Corrosion-resistant - stable - low weight
- Adaption to every type of truck by drilling the carrier profile
- 11.7 kg (dimension sheet available)

Universal Mounting Frame, Overhead	5600-8011
------------------------------------	-----------



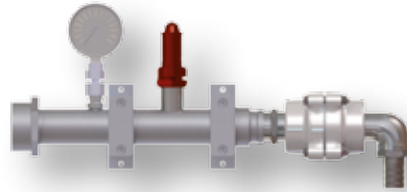
MAN Mounting Plate, Overhead (for K3-1275)

- Compressor mounting plate, galvanized steel
- Overhead assembly of K3-1275
- Corrosion-resistant - stable - low weight
- Already drilled
- Suitable for MAN TGA and TGX
- Easy assembly
- 6.4 kg (dimension sheet available)

MAN Mounting Plate, Overhead	5609-8011
------------------------------	-----------

Mounting Kits & Accessories

Armature Carrier, Horizontal



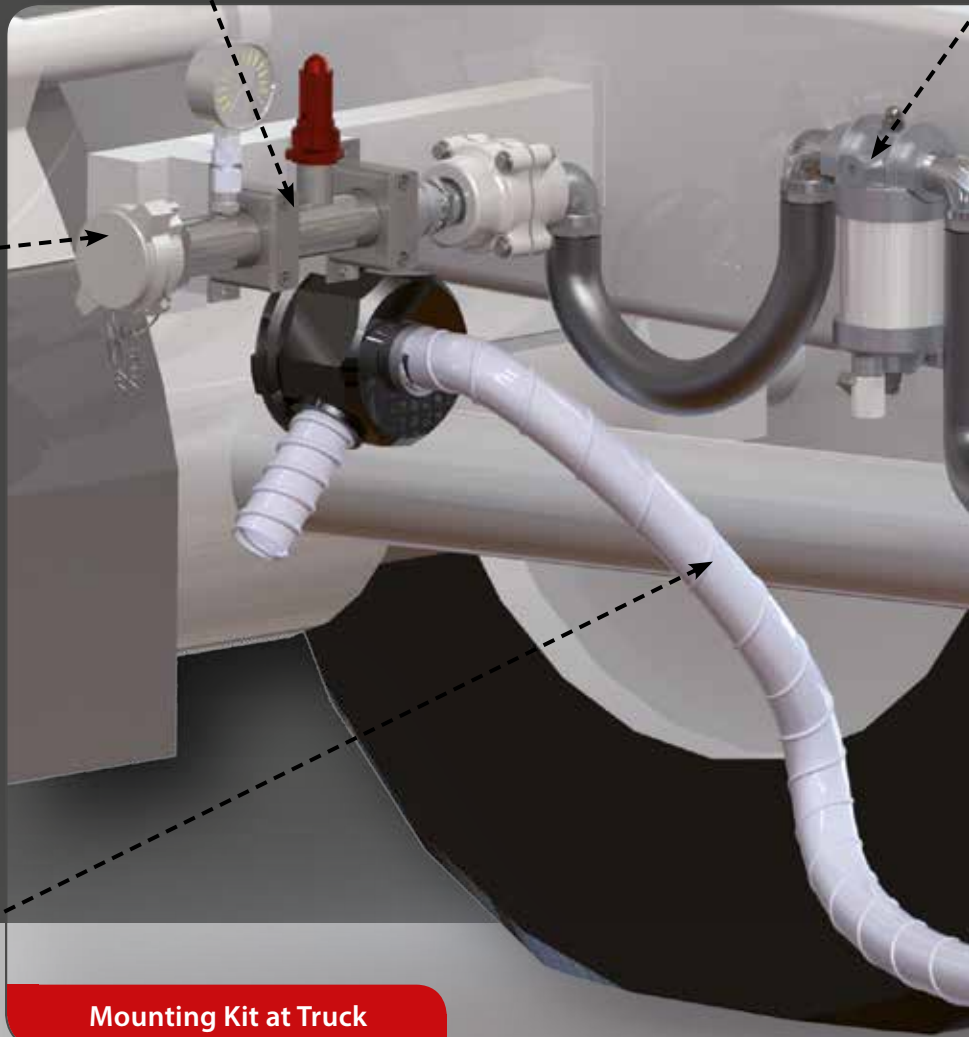
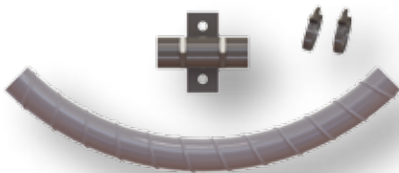
Armature Carrier, Vertical



Tanker Couplings Set



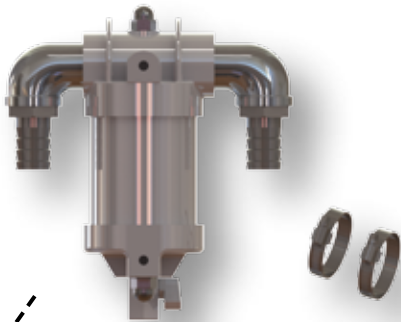
Mounting Kit for Suction Filter



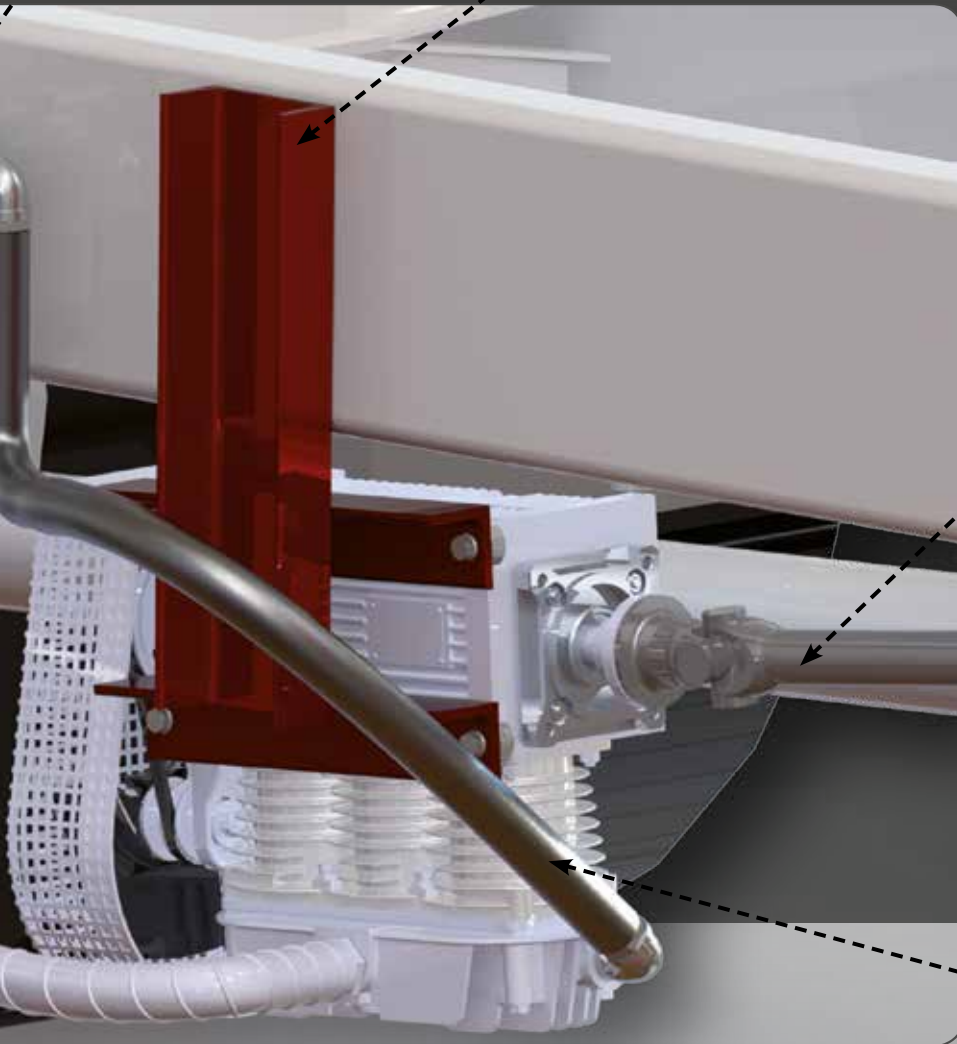
Mounting Kit at Truck

Minimal Assembly Costs by Pre-Assembly It's
Low Handling Costs Fast Adaptation to all Types of Trucks
No Installation of Pipelines Necessary **Stable Mounting Fra**

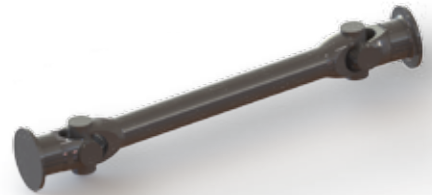
Separator



Universal Mounting Frame



Cardan Shaft



Flexible Pressure Hoses



this Easy with our Kits and Accessories

READY IN 2 H!

mes Corrosion-Resistant Materials

*Minimal
Assembly
Efforts*

Low Weight
Temperature-Resistant Hoses

High Flexibility

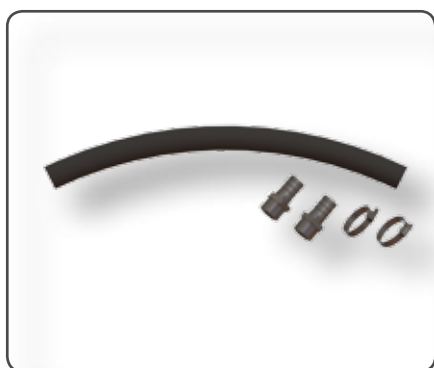
Mounting Kits & Accessories

Mounting Accessories

The compressed air temperatures of the BRÄTSCH reciprocating compressors are significantly lower than with vane-type or screw-type compressors so that flexible pressure hoses instead of pipelines can be used. Depending on the assembly requirements of the truck, you can even shorten the pressure hose yourself.

The mounting kit for the suction filter is designed for the assembly of the cartridge suction filter at the truck's frame. The location can be chosen so that preferably dust-free air is taken in and that it is easily accessible for regular maintenance.

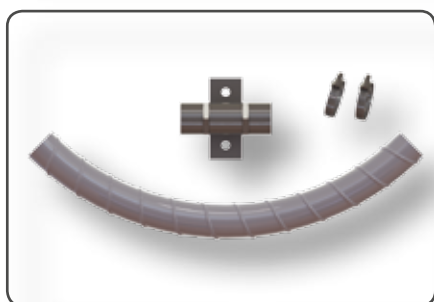
The stainless steel tanker coupling is delivered in combination with a reduction part in order to assemble it onto the armature carrier. Please let us know the exact assembly length and flange connections and we will deliver the appropriate cardan shaft as soon as possible - either maintenance-free or lubricatable.



Flexible Pressure Hoses

- Flexible pressure hose, temperature-resistant up to 200° C
- Easy and fast installation of armatures
- May be cut to any required length

Pressure Hose 2 m	12010-038
Hose Nozzle 1", Stainless Steel	12061-032
Hose Clamp, Stainless Steel	10510-030



Mounting Kit for Suction Filter

- Holder for cartridge suction filter for assembly at truck frame
- Extended suction hose 2 m
- Optimal positioning for the suction of preferably dust-free air
- Optimal access for maintenance purposes

Mounting Kit for Suction Filter	5600-5840
---------------------------------	-----------



Tanker Coupling Set, Stainless Steel

- Coupling tanker sealing cap with safety chain
- Coupling tanker male part
- Stainless steel reduction part for the assembly on the armature carrier

Tanker Coupling Set	12088-504
---------------------	-----------



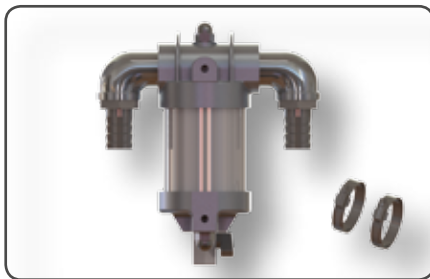
Cardan Shaft

- Cardan shaft with flange connections and set of screws
- Several different assembly lengths and flange connections
- Lubricatable or maintenance-free version

Cardan Shaft	200R-8220
--------------	-----------

Compressed Air Conditioning

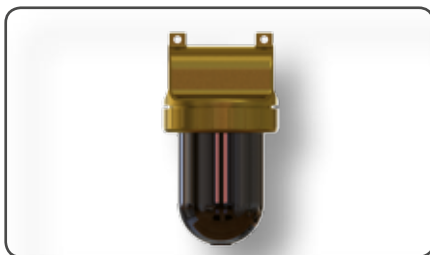
As even an oil-free compressor only compresses the air that it has suctioned from the environment, it is important to clean the compressed air afterwards. First of all, the air has to be cleaned from condensate by the downstream separator. Furthermore, particles have to be filtered out of the suctioned air by the fine filter. The adsorber filters water vapour out of the compressed air and our micro filter removes the aerosols.



Separator

- The separator coarsely separates the condensate (oil/water) and particles
- Connection thread of G 1", with manual descent
- 2 hose nozzles, stainless steel and 2 hose clamps, stainless steel for the connection with the pressure hose system

Separator	5600-7410
-----------	-----------



Fine Filter

- The fine filter separates condensate (oil/water) and particles up to 40 µm. The cleaning is carried out in two steps by cyclone separation and sintered filter.
- Connection thread of G 1", with manual descent

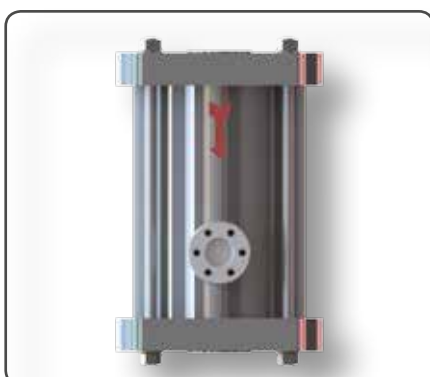
Fine Filter	E1322-49M
-------------	-----------



Micro Filter

- The micro filter is a fine coalescence filter and separates liquid and solid contaminated particles up to a particle size of 0,01µm and directly separates liquids
- Efficiency at nominal performance: 99.9999 %
- Oil sludge 10 mg/m³ (according to ISO 12500)
- Residual oil content: 0.01 mg/m³ (according to ISO 8573-1)
- Connection thread G 1", with manual descent

Micro Filter GL9XL	Z1GL9XLDH
--------------------	-----------



Adsorber

- An Adsorber extracts water vapour out of compressed air by attracting the molecules (gaseous or liquid) and holding them on the surface of a desiccant.
- The dry pearls (silica gel) have been impregnated with a colour indicator that changes its colour when saturated. They can be retreated and remounted.
- Pressure dew point: -5°C

Adsorber G1", Stainless Steel (Contents: 2.6 kg)	5005-0100
Adsorber G1 ¼", Stainless Steel (Contents: 5.0 kg)	5505-0300



Company Profile

- Family business in its 3rd generation
- Founded in Hamburg in 1945
- Manufacturer and dealer of compressors, aggregates, compressed air systems and accessories
- Specialised in the development of reciprocating compressors for discharging tankers and special aggregates
- Made-in-Germany quality thanks to complete manufacturing and assembly in Hamburg
- Cooperation with universities, sponsorship by the City of Hamburg
- ISO 9001:2008 certification
- Pan-European dealer and service network

Contact

Kurt Brätsch Kompressoren GmbH
Kurt-A.-Körper-Chaussee 39 d
21033 Hamburg
Germany

Tel: +49 (0)40 / 721 38 18
Fax: +49 (0)40 / 721 69 86

info@braetsch.de
www.braetsch.de

