

TDR BLOWERS

Positive Displacement Trilobe Roots Blowers

The TDR range of blowers are offered in three sizes. These machines are roots type blowers and are precision made. Trilobe is a recent technical progression for roots blowers, and all TDR blowers are now available for mobile applications.

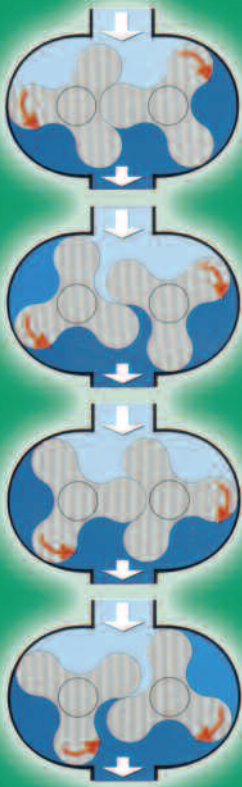
Product features

- Robust cast iron construction
- Oil bath bearings both ends
- Industrial specifications
- Oil free
- High pressure performance
- Trilobe

Options available

- Direct drive
- Packaged unit
- Acoustically enclosed tractor mounting kit
- Full range of accessories





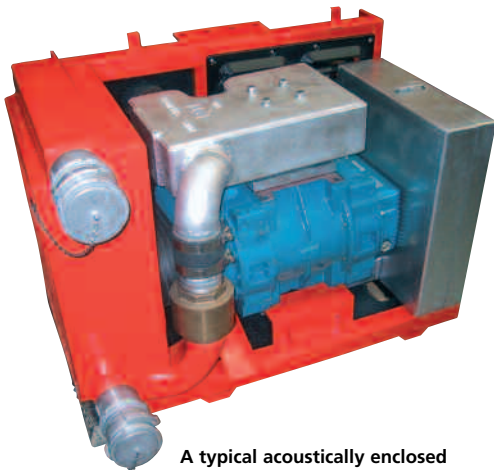
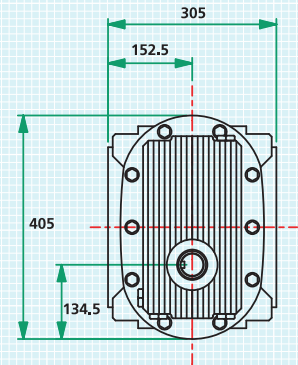
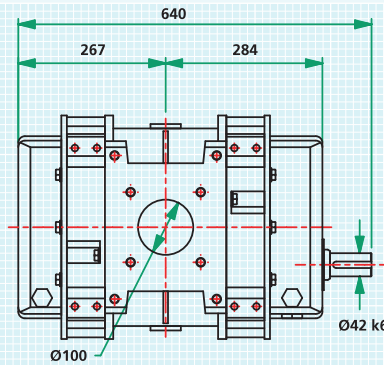
TDR BLOWERS

TECHNICAL SPECIFICATIONS

	Bore	Weight	Pressure max	Flow max
	mm	Kg	Barg	m ³ /hr
DR127T	100	150	1.50	990
DR128T	100	170	1.20	1380
DR130T	100	180	1.10	2160

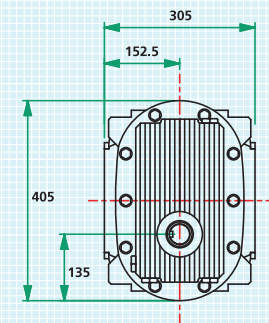
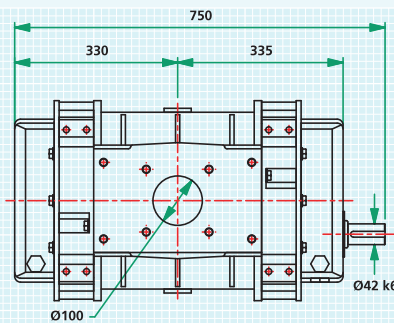


TDR128 Dimensions
Weight: 170kg



A typical acoustically enclosed package with after air cooling

TDR130 Dimensions
Weight: 180kg



Plan View

End Elevation

TDR127 – not shown, please ask for details

Other Transairvac products include:

- Hydraulic coolers
- Pressure line filters
- Compressors
- Vacuum pumps
- Blowers
- Rotary lobe pumps



Units 12 – 17, Croft Road Industrial Estate,
Newcastle, Staffordshire ST5 0TW
Tel: +44 (0)1782 710282 Fax: +44 (0)1782 710126
email: office@transairvac.com
web: www.transairvac.com