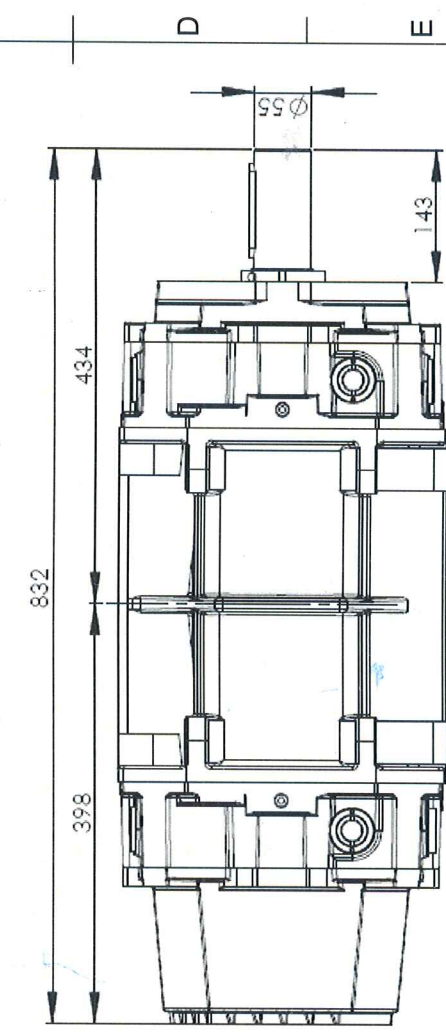
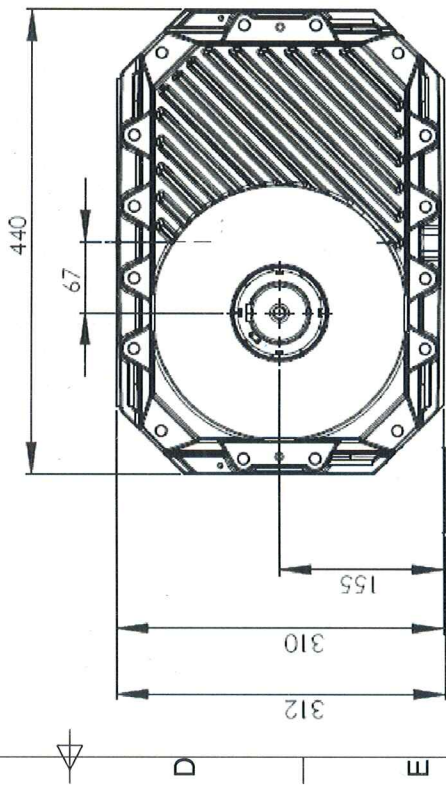
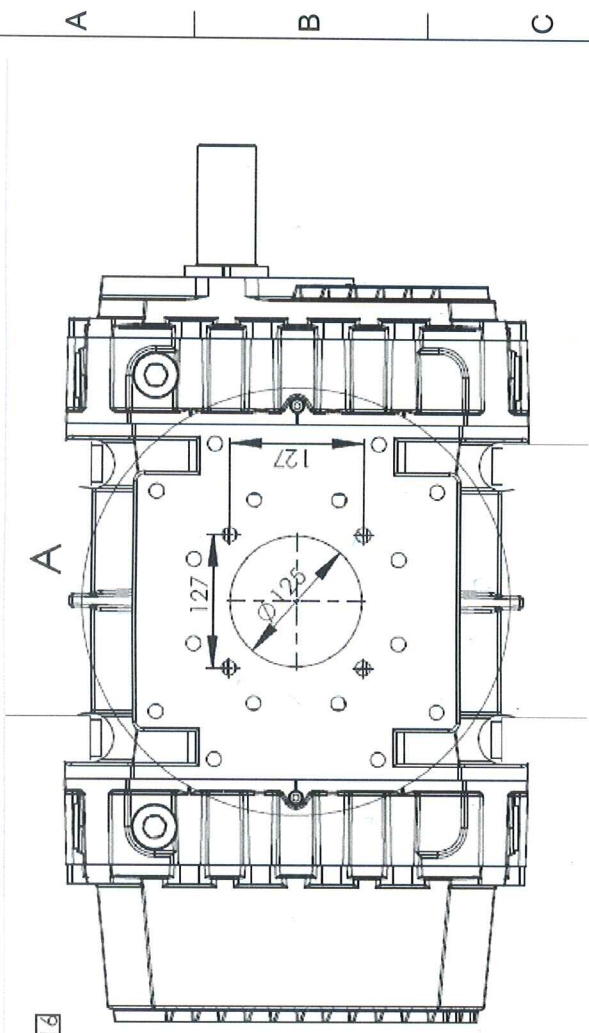
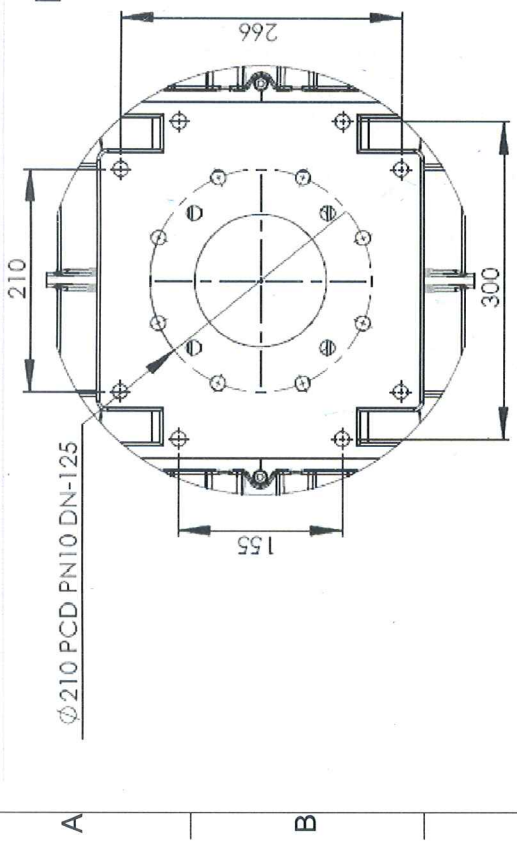


ALL HOLES TAPPED M16



NOTE: FIXED DIRECTION OF ROTATION / INLET & DISCHARGE.  
HORIZONTAL & VERTICAL MOUNTING CW & CCW

Designed by MH	TLRB610 TRI-LOBE BLOWER	Part No. TLRB610
Checked by MH	Approved by - 08/03/2021	Date 08/11/2019
<p>Units 12 to 17 Cliff Road Industrial Estate, Newcastle, Staffordshire, ST5 7W, England, UK Tel: +44(0)1929 710200 Fax: +44(0)1929 710208</p>		TAV.01.6.002
		Edition Sheet