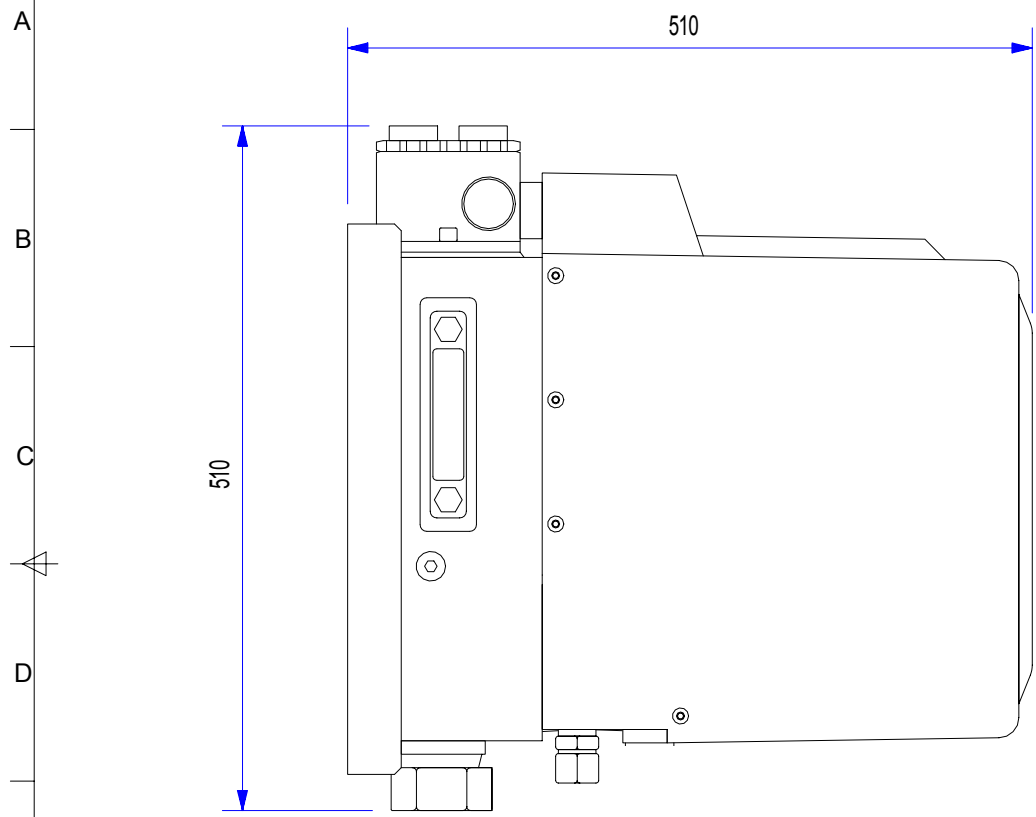
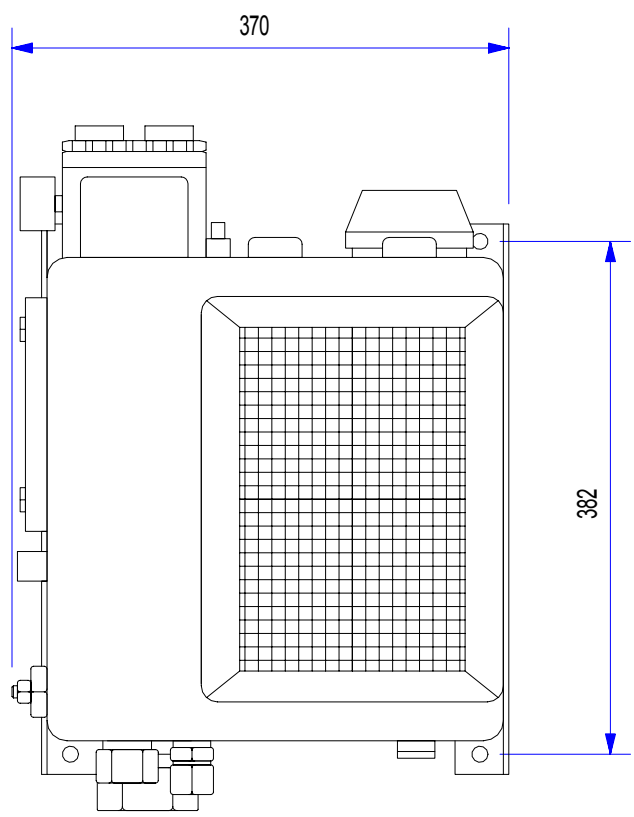


1 2 3 4 5 6 7 8


RevNo	Revision note	Date	Signature	Checked
-------	---------------	------	-----------	---------



Side Elevation



Front Elevation

Itemref	Quantity	Title/Name, designation, material, dimension etc			Part No/Ref: HC14	
Designed by SEM	Checked by ISA	Approved by - date P WOOD - 04/02/2005	Filename SPARES/COOLERS	Date 05/09/2006	Scale 1:5	
			HC13 COOLER			
			TAV.03.4.001	Edition 1	Sheet 1	

Units 12 to 17 Croft Road Industrial Estate,
Newcastle, Staffordshire, ST15 0TW.
Tel: +44 (0)1782 710292
Fax: +44 (0)1782 710126

1 2 3 4 5 6 7 8