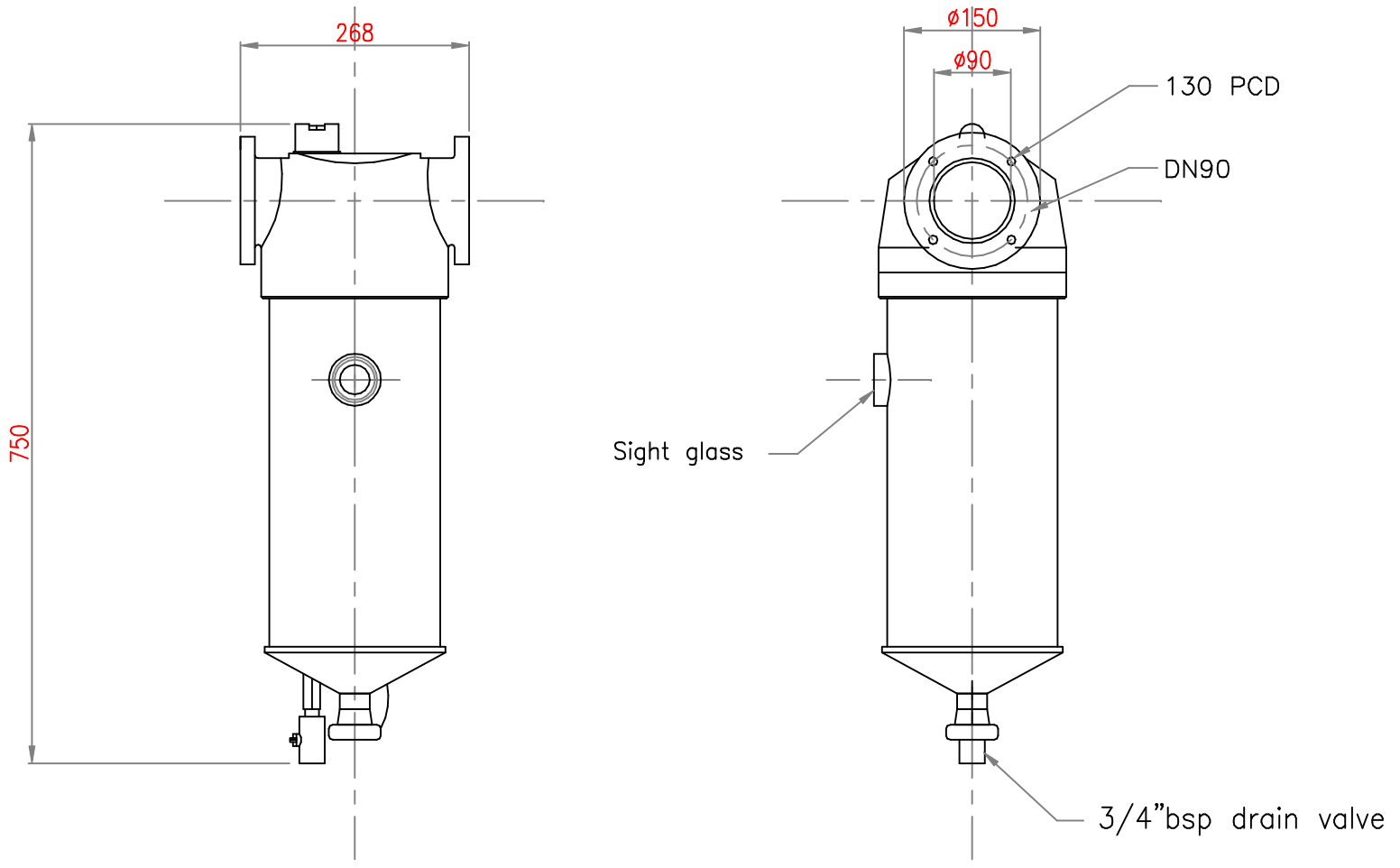


RevNo	Revision note	Date	Signature	Checked
-------	---------------	------	-----------	---------



PART REF No		
FIL 024		
SCALE		
1 : 8		
DRAWN	CHECKED	DATE
J. D. M.		



Unit 28 Croft Road Industrial Estate,
Newcastle, Staffordshire, ST5 0TW.
Tel: +44(0)1782 710282
Fax: +44(0)1782 710126

TITLE		
PLF 1000 FILTER ASSEMBLY		
DRG No	REVISION	SHEET
TAV.04.6.001	1	1